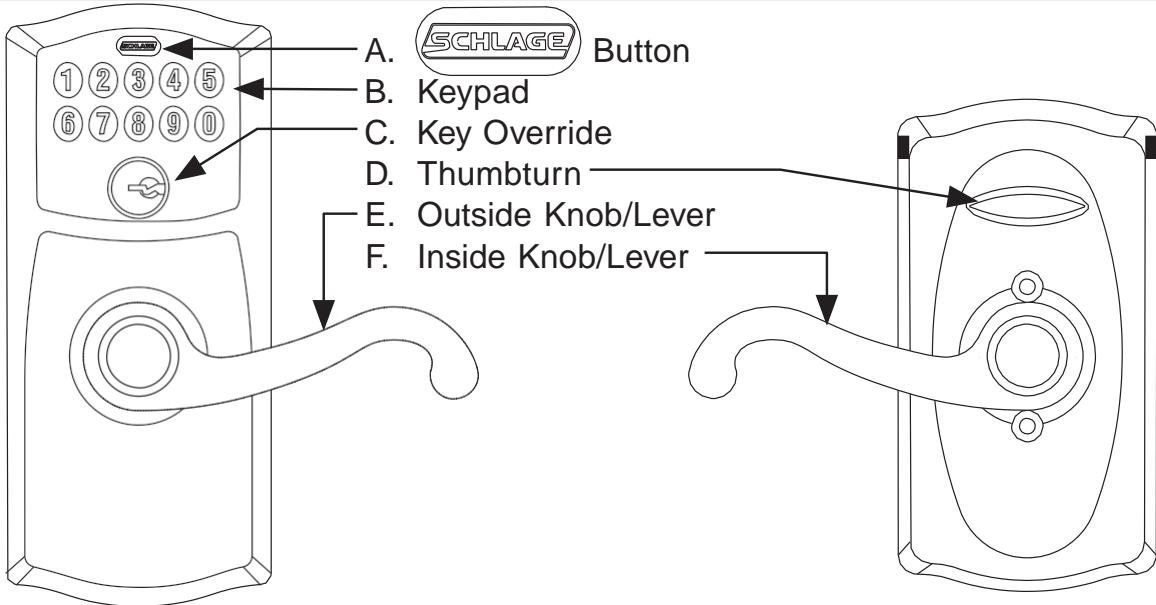


CABIN LOCK OPERATION



A. Button

1. Press to turn on backlight.
2. Press to clear an incorrect code entry.

B. Keypad

1. Use to unlock the lock by entering a valid four-digit user code. This will be the 4-digit code given when you registered.

C. Key Override

D. Thumbturn

Switches between locked and unlocked. (See below.)

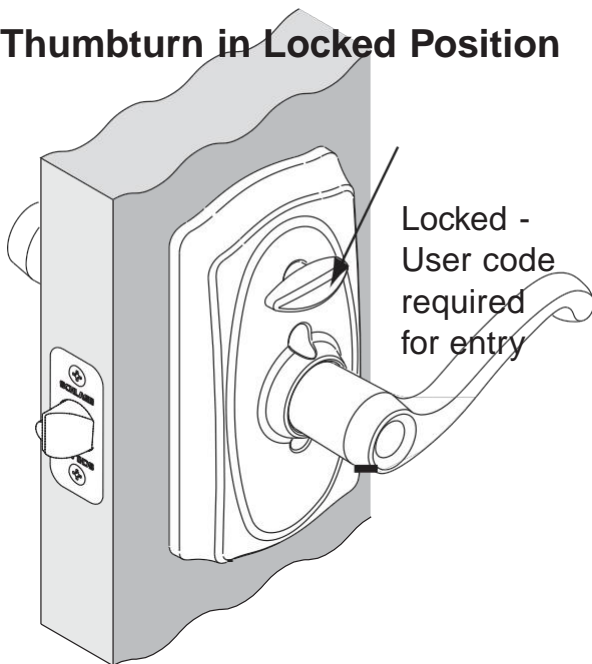
E. Outside Knob/Lever

Always rotates. Only retracts latch when lock is unlocked.

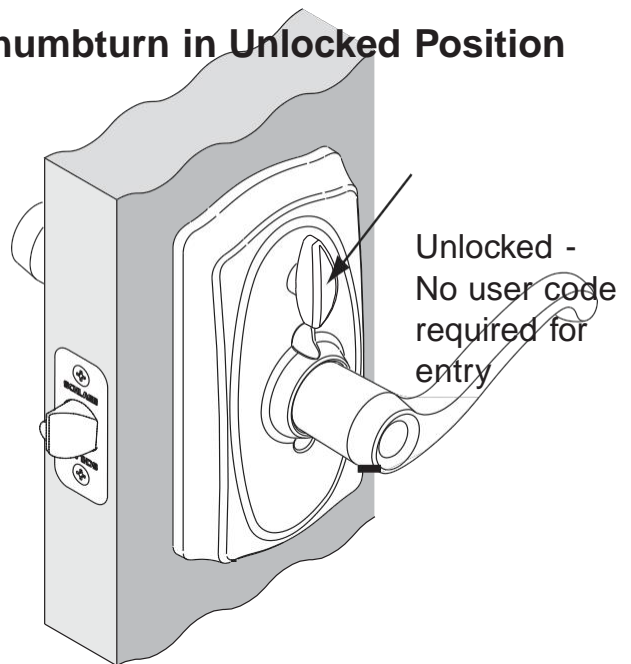
F. Inside Knob/Lever

Always rotates and retracts latch for immediate exit.


Thumbturn in Locked Position



Thumbturn in Unlocked Position



**To Unlock the Lock
(While thumbturn is in locked position)**

- a. Enter a valid four-digit user code.
- b. The  button will flash green
- c. Rotate outside knob/lever within five seconds to open door.
- d. After five seconds, the lock will automatically relock.

